



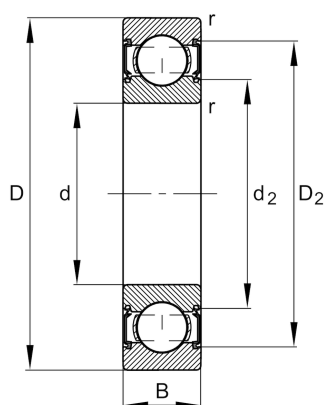
FAG

**6203-C-2HRS**

Deep groove ball bearing

Schaeffler ID:  
0956621460000Deep groove ball bearing 62...-C-2HRS,  
single row, Generation C, seals, steel  
sheet metal cage

## Technical information

**Main Dimensions & Performance Data**

d	17 mm	Bore diameter
D	40 mm	Outside diameter
B	12 mm	Width
$C_r$	11.000 N	Basic dynamic load rating, radial
$C_{0r}$	4.750 N	Basic static load rating, radial
$C_{ur}$	330 N	Fatigue load limit, radial
$n_G$	16.900 1/min	Limiting speed
	0,065 kg	Weight

**Dimensions**

$r_{min}$	0,6 mm	Minimum chamfer dimension
$D_2$	34,8 mm	Caliber diameter outer ring
$d_2$	22,8 mm	Caliber diameter inner ring

**Mounting dimensions**

$d_{amin}$	21,2 mm	Minimum diameter shaft shoulder
$D_{amax}$	35,8 mm	Maximum diameter of housing shoulder
$r_{amax}$	0,6 mm	Maximum fillet radius

**Calculation factors**

$f_0$	13	Calculation factor
-------	----	--------------------

**Temperature range**

$T_{min}$	-20 °C	Operating temperature min.
$T_{max}$	100 °C	Operating temperature max.

